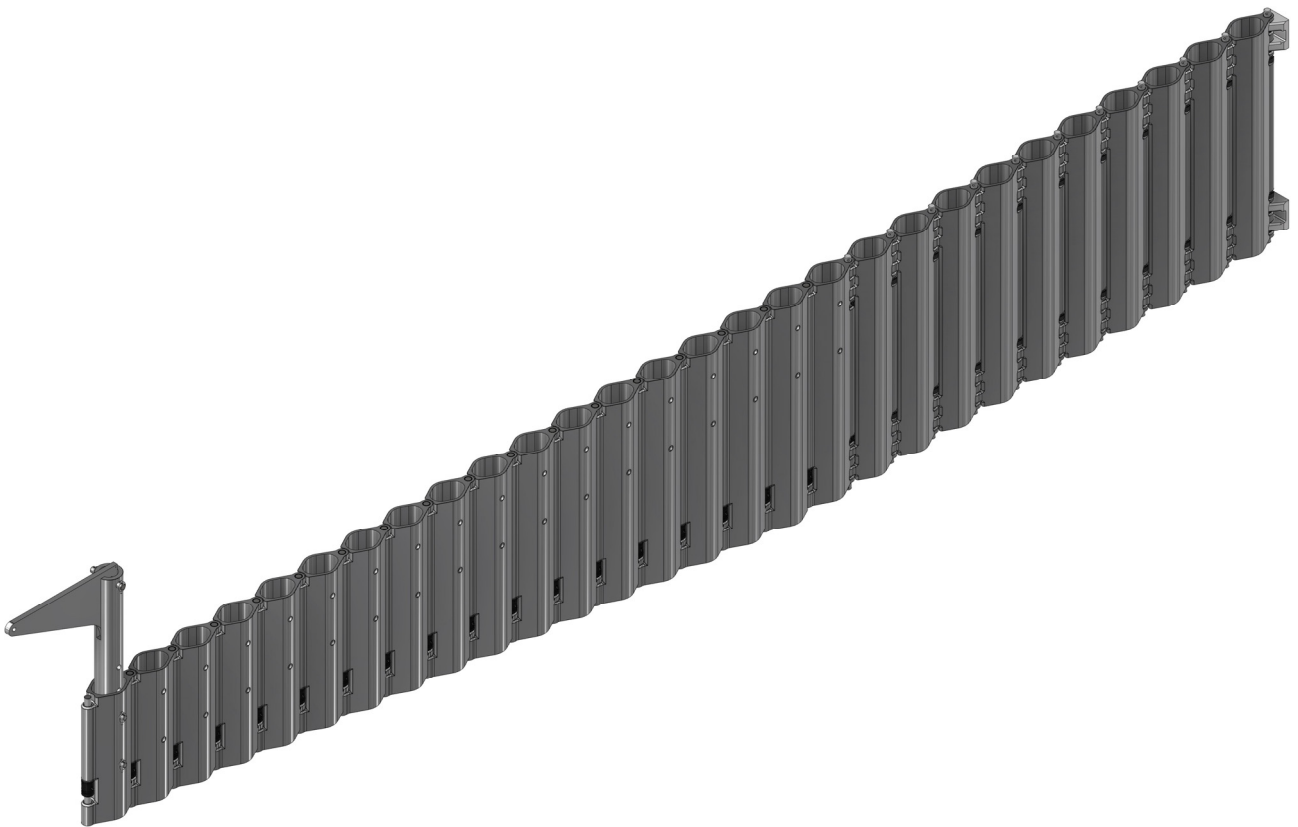
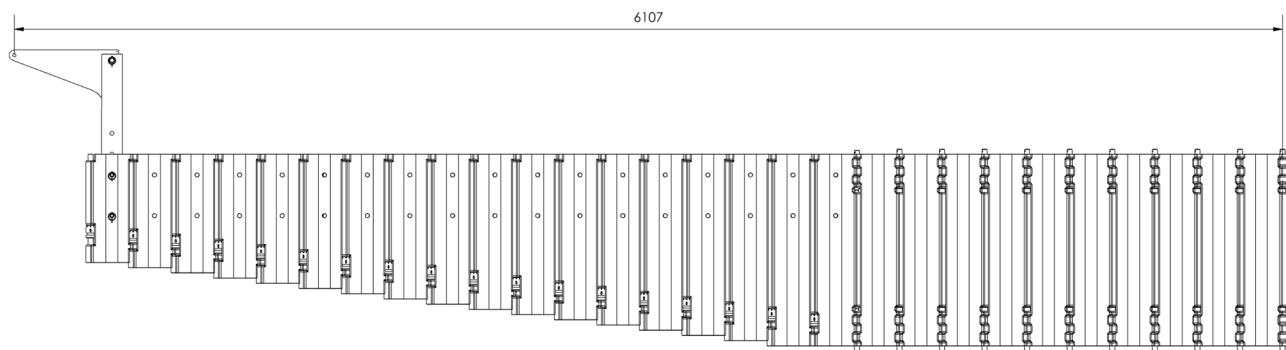


Datasheet

JibFlex XL 350-6



Overview and specifications



The "Stork" can be mounted on any standard JibFlex module as well as on the Transition Module, enabling optimal placement for each specific lift. The Transition Module must be installed as the final module in any JibFlex XL configuration and will always serve as the interface between JibFlex XL modules and standard JibFlex modules. The Stork must always be mounted on the outermost module of any configuration.

The WLL and working radius can be seen in the table below:

Module No.	Lifting Radius [m]	WLL [kg]	Profile Height [m]	Profile Mass [kg]	Deflection WLL [m]
1	0,572	1200	0,925	17,00	< 0,02
2	0,777	1200	0,925	17,00	< 0,02
3	0,982	1200	0,925	17,00	< 0,02
4	1,187	1200	0,925	17,00	< 0,02
5	1,392	1200	0,925	17,00	0,02
6	1,597	1200	0,925	17,00	0,03
7	1,802	1200	0,925	17,00	0,03
8	2,007	1200	0,925	17,00	0,04
9	2,212	1200	0,925	17,00	0,04
10	2,417	1200	0,925	17,00	0,05
11	2,622	1200	0,925	20,20	0,05
12	2,827	1200	0,925	15,33	0,06
13	3,032	1165	0,900	14,90	0,06
14	3,237	1075	0,875	14,48	0,07
15	3,442	995	0,850	14,06	0,07
16	3,647	925	0,825	13,64	0,07
17	3,852	860	0,800	13,22	0,08
18	4,057	805	0,775	12,80	0,09
19	4,262	750	0,750	12,38	0,09
20	4,467	705	0,725	11,96	0,10
21	4,672	600	0,700	11,54	0,10



Module No.	Lifting Radius [m]	WLL [kg]	Profile Height [m]	Profile Mass [kg]	Deflection WLL [m]
22	4,877	585	0,675	11,12	0,11
23	5,082	500	0,650	10,70	0,11
24	5,287	490	0,625	10,28	0,12
25	5,492	450	0,600	9,86	0,12
26	5,697	400	0,575	9,44	0,12
27	5,902	385	0,550	9,02	0,12
28	6,107	350	0,525	8,59	0,13

*Note Deflection to be confirmed



Specifications

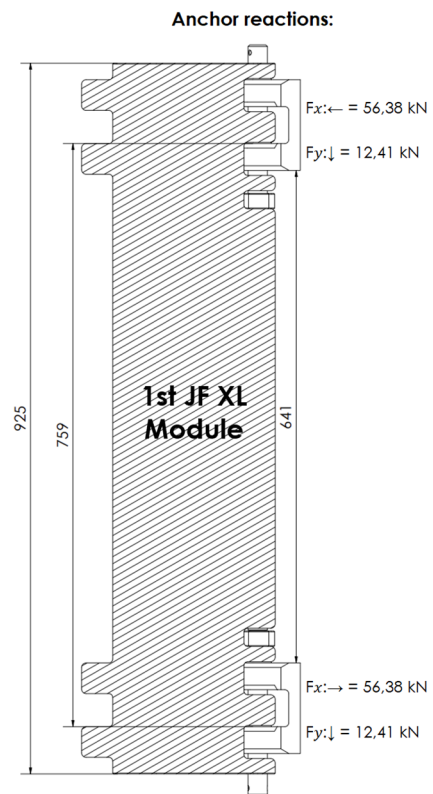
The technical specifications for the JibFlex system are presented in the table below.

Specification	Value	Unit
Mass of JibFlex		
• JibFlex modules	394	kg
• Stork	16	
• Total	410	
WLL at last module	350	kg
Max radius	6,1	m
Maximum deflection cause by WLL	0.13	m
Safety factor, self-weight – acc. EN 13001-series	1.34	-
Safety factor, load (WLL) – acc. EN 13001-series	1.65	-
Maximum hoist speed	0.16	m/s

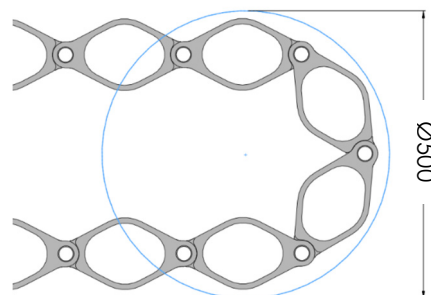
Installation requirements

- 641 mm – spacing between anchor brackets.

The reaction forces are omnidirectional and represent characteristic loads that include a combined safety factor but exclude partial safety coefficients.



Bending Radius



0.25 m

Parts List

This JibFlex configuration consists of the following modules and accessories:

Part NO.	ID	Description	Quantity
1	XL-M925-1	Module 1-10	10
2	XL-T-M925-1	Module 11	1
3	M-925-1	Module 12	1
4	M-900-1	Module 13	1
5	M-875-1	Module 14	1
6	M-850-1	Module 15	1
7	M-825-1	Module 16	1
8	M-800-1	Module 17	1
9	M-775-1	Module 18	1
10	M-750-1	Module 19	1
11	M-725-1	Module 20	1
12	M-700-1	Module 21	1
13	M-675-1	Module 22	1
14	M-650-1	Module 23	1
15	M-625-1	Module 24	1
16	M-600-1	Module 25	1
17	M-575-1	Module 26	1
18	M-550-1	Module 27	1
19	M-525-1	Module 28	1
20	L-015	Heavy duty pin W. Lock	22
21	S-005	Stork, 1200 kgs	1
22	S-015	Lock pins	2
23	S-013	Ø16 Shackle	1
24	LB-008-1	Lock Bracket tool	1
25	S-014	Linch pin	4

Replacements of any modules and/or stork requires a new load test.

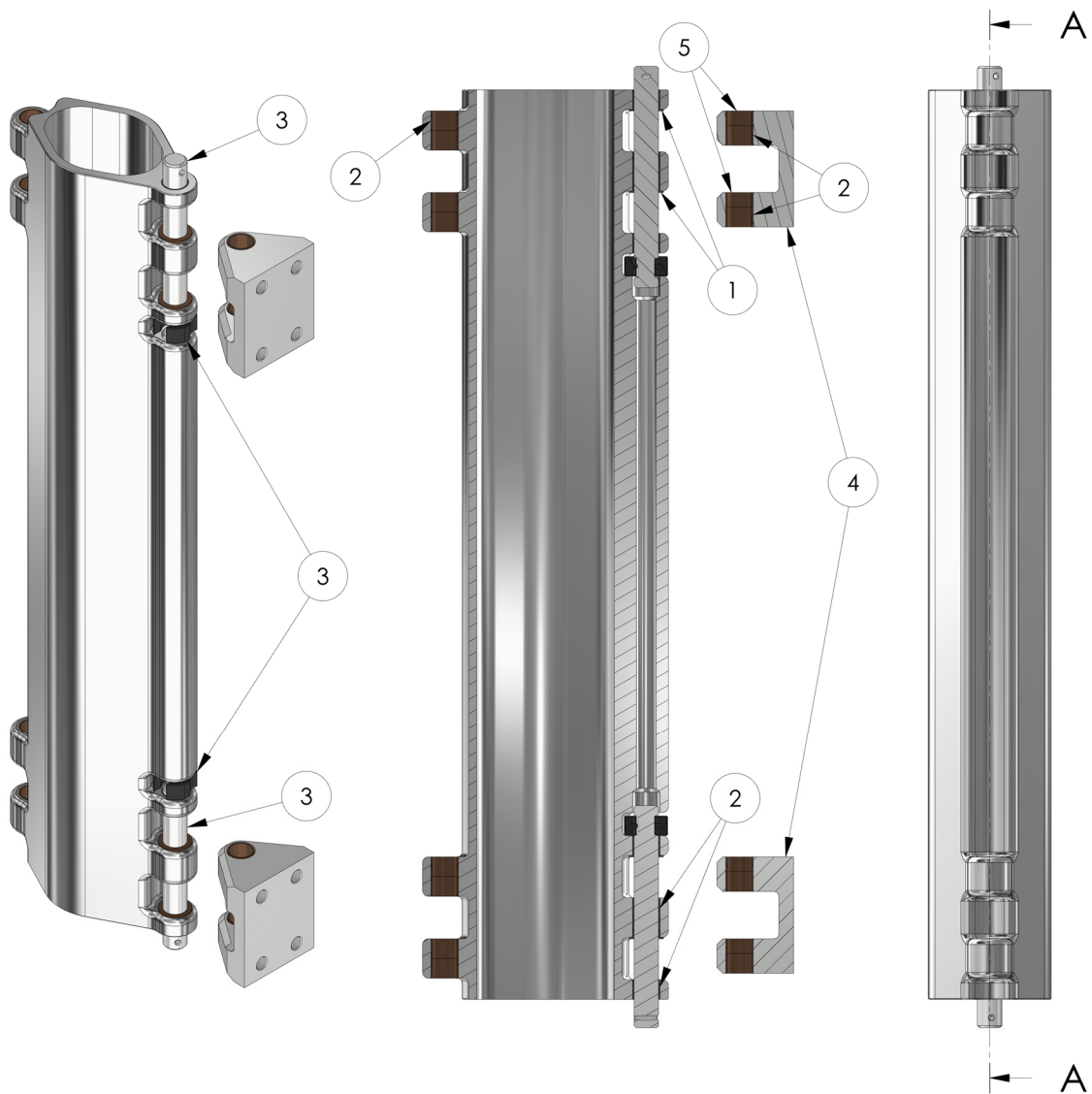
Other parts can be replaced during daily maintenance.



Spare parts, optional

ITEM NO.	ID	Description
1	PB-002 Bushing F-21	Igus Bushing with flange
2	PB-003 Bushing S-20	Igus Bushing no flange
3	L-015	Heavy duty pin W. Lock
4	AP-XL-001	XL Anchor point
5	PB-004 Bushing S-15	Igus Bushing no flange

JF XL module illustration



ITEM NO.	ID	Description
6	PB-001 Bushing F-31	Igus Bushing with flange
7	LB-001-1	Lock Brackets
8	AP-001	Std. JF anchor point
9	S-014	Linch pin
-	S-015	Lock pin
-	LB-008-1	Lock Bracket tool

JF Std. module illustration

